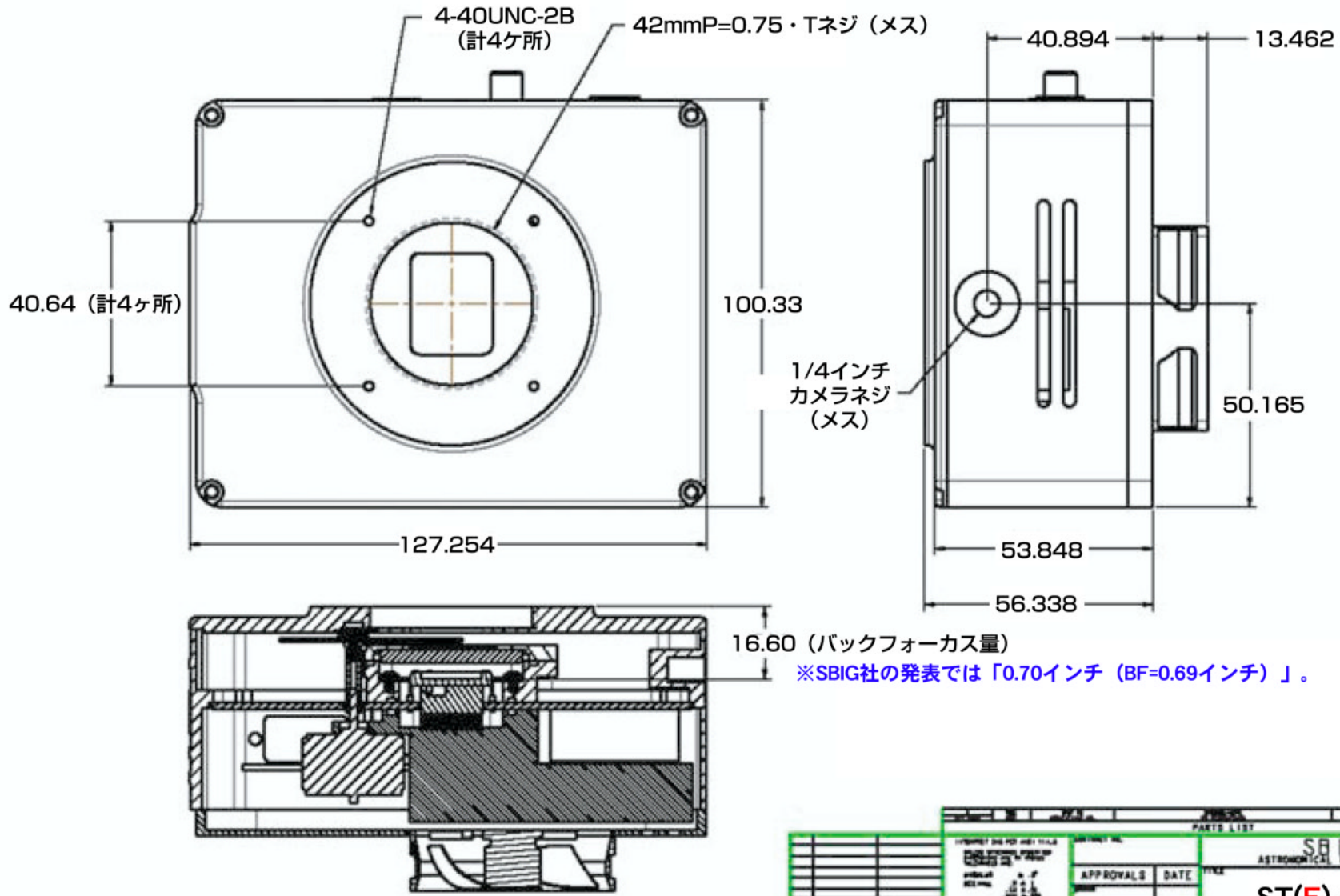


CCD素子エリア : 17.9×13.5mm (5.4μ角)



単位 : m/m

DESIGNED		REVISION		DATE		APPROVAL									
PARTS LIST															
<table border="1"> <thead> <tr> <th>APP. NO.</th> <th>DATE</th> <th>APPROVALS</th> <th>TITLE</th> </tr> </thead> <tbody> <tr> <td></td> <td></td> <td></td> <td></td> </tr> </tbody> </table>								APP. NO.	DATE	APPROVALS	TITLE				
APP. NO.	DATE	APPROVALS	TITLE												
ASTRONOMICAL INSTRUMENTS				ST(F)-8300											
DRAWN BY: DJC				DATE: []											