

ALL SKY CAM

Dome Heater
Model ASC-H

Moonglow Technologies

Introduction:

Congratulations on your purchase of an All Sky Cam Dome Heater! Please read the following important instructions before using it.

Cautions & Warnings:

To reduce the risk of electric shock, do not disassemble the heater, there are no user-serviceable components inside. The power supply may only be operated indoors. Use the included weather sealant around outdoor cable connections to reduce the risk of shock or damage to the equipment.

This device complies with part 15 of the FCC Rules. Operation is subject to the following two conditions: (1) This device may not cause harmful interference, and (2) this device must accept any interference received, including interference that may cause undesired operation.

Note: This equipment has been tested and found to comply with the limits for a Class B digital device, pursuant to part 15 of the FCC Rules. These limits are designed to provide reasonable protection against harmful interference in a residential installation. This equipment generates, uses and can radiate radio frequency energy and, if not installed and used in accordance with the instructions, may cause harmful interference to radio communications. However, there is no guarantee that interference will not occur in a particular installation. If this equipment does cause harmful interference to radio or television reception, which can be determined by turning the equipment off and on, the user is encouraged to try to correct the interference by one or more of the following measures:

- Reorient or relocate the receiving antenna.
- Increase the separation between the equipment and receiver.
- Connect the equipment into an outlet on a circuit different from that to which the receiver is connected.
- Consult the dealer or an experienced radio/TV technician for help.

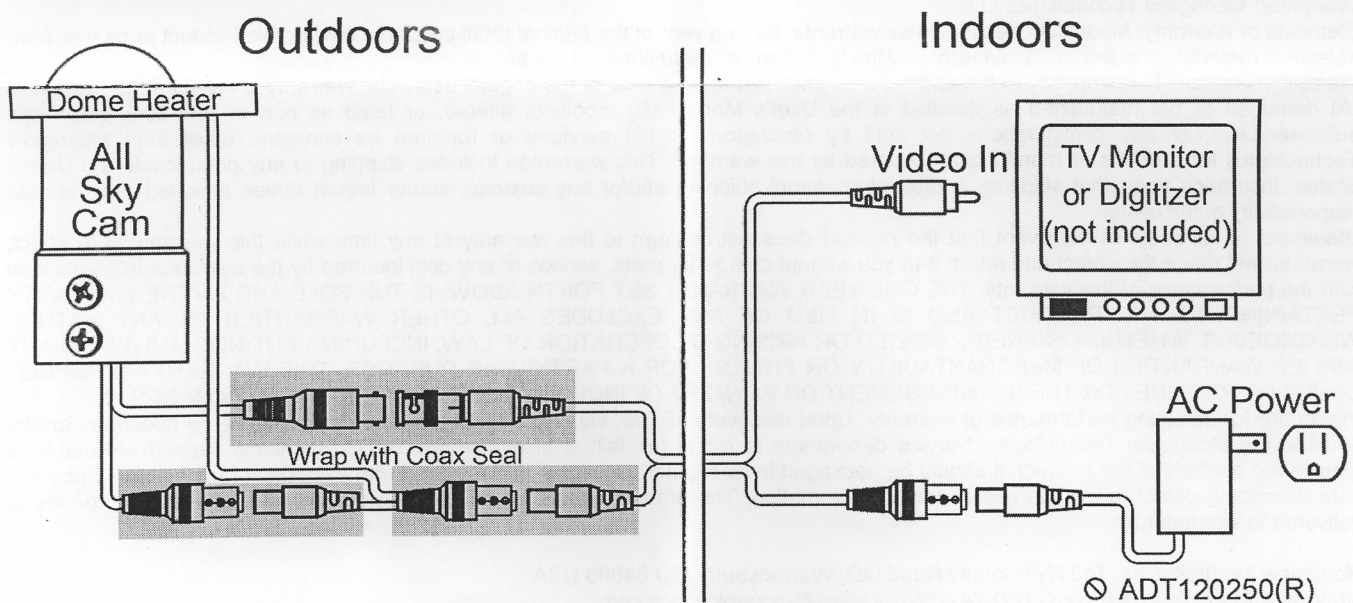
Installation:

Remove the All Sky Cam from its mounting. If using the mounting pole supplied by Moonglow Tech, thread the heater power cable through the 0.5" (13mm) diameter hole near the end of the pole from outside the pole to inside the pole. Insert the heater power cables in line with the camera power connectors as shown in the diagram below, to tap off the power to the camera.

Then cable connections must then be wrapped with the included Coax-Seal weather stripping to prevent rain or dew from shorting out the power and video signals. See the Coax-Seal envelope for instructions. Place the All Sky Cam back on its mounting, and then slip the Dome Heater down onto the top of the All Sky Cam as shown in the diagram. A lip is provided on the inner diameter of the heater to keep the heater at the right height. If you are not using the Moonglow Tech supplied mounting pole, the power wire can fit between the All Sky Cam's housing and your mounting pole as long as care is taken to give sufficient slack so that the wire does not get nicked by the metal pole or housing.

If you are using an NTSC All Sky Cam, please ensure you change the indoor power supply to the power supply that is supplied with the Dome Heater. The power supply model ADT120250(R) supplied with older NTSC All Sky Cams does not have sufficient capacity to power the Dome Heater.

Note that the heater is digitally controlled and will not generate heat in warm temperatures. See chart on opposite side. At freezing temperatures the full heating capacity is utilized to quickly melt ice, snow, and sleet. At warmer temperatures progressively lower power settings are employed to keep the dome slightly above ambient temperature to aid in the prevention of dew.



Specifications:

Maximum power: 7 watts
Internally insulated to direct heat inwards.
Contains over current, over temperature, and surge protection.

Power supply required: 12VDC, 0.8A, 7 Watts
Maximum power supply voltage: 16VDC 12 Watts
Supplied cable: 10 inches (0.3m) with male and female 2.1 x 5.5mm connectors.
Maximum power cable length: 90 feet (27 m)
Included power supply: 100-240VAC 50/60Hz with USA plug.
Compatible with international power supply shipped with PAL All Sky Cams.

Control: Proportional. Runs at low power above freezing to prevent dew. Runs at high power below freezing to melt ice/snow.

Housing material: Gray UV stabilized marine grade high density polyethylene.
Dimensions: 2.6" x 3.2" x 0.5" (67 x 80 x 12mm)
Heater weight: 1.3 ounces (37 g)
Warranty: 1 year

Shipping weight: 0.5 lb (0.3 kg)

Origin: Assembled in U.S.A.
RoHS compliant.

Correct Disposal of This Product:



(Waste Electrical & Electronic Equipment)

(Applicable in the European Union and other European countries with separate collection systems)

This marking shown on the product or its literature, indicate that it should not be disposed with other household wastes at the end of its working life. To prevent possible harm to the environment or human health from uncontrolled waste disposal, please separate this from other types of wastes and recycle it responsibly to promote the sustainable reuse of material resources. This product should not be mixed with other commercial wastes purchased this product, or their local government office, for details of where and how they can take item for environmentally safe recycling. Business users should contact their supplier and check the terms and conditions of the purchase contract. Household users should contact either the retailer where they for disposal.

Warranty:

Warrantor: Moonglow Technologies LLC

Elements of Warranty: Moonglow Technologies warrants, for one year of the original retail purchase owner, this Product to be free from defects in materials and workmanship with only the limitations or exclusions set out below.

Warranty Duration: This warranty to the original user shall last for one year of the original user. The warranty is invalid if the Product is (A) damaged or not maintained as detailed in the User's Manual (B) modified, altered, or used as part of any conversion kits, subassemblies, or any configurations not sold by Moonglow, or (C) serviced or repaired by someone other than Moonglow Technologies for a defect or malfunction covered by this warranty. This warranty includes shipping to any point inside the United States. Insurance upon that shipping and/or international shipping and/or any customs and/or import duties attached are the sole responsibility of the owner.

Statement of Remedy: In the event that the product does not conform to this warranty at any time while this warranty is in effect, warrantor will repair the defect and return it to you without charge for parts, service or any cost incurred by the warrantor in connection with the performance of this warranty. THE ONE YEAR WARRANTY SET FORTH ABOVE IS THE SOLE AND ENTIRE WARRANTY PERTAINING TO THE PRODUCT AND IS IN LIEU OF AND EXCLUDES ALL OTHER WARRANTIES OF ANY NATURE WHATSOEVER, WHETHER EXPRESS, IMPLIED OR ARISING BY OPERATION OF LAW, INCLUDING BUT NOT LIMITED TO ANY IMPLIED WARRANTIES OF MERCHANTABILITY OR FITNESS FOR A PARTICULAR PURPOSE. THIS WARRANTY DOES NOT COVER OR PROVIDE FOR THE REIMBURSEMENT OR PAYMENT OF INCIDENTAL OR CONSEQUENTIAL DAMAGES.

Procedure for obtaining performance of warranty: Upon discovery of flaw, we require that the user communicate by telephone and/or email to the Moonglow Technologies Service department to report the failure of equipment. Should technical support be unable to resolve the conflicts of the product, it should be packaged in its original packaging and returned with evidence of original purchase and note describing defect to include owner contact information. The product should be shipped freight pre-paid by traceable means or delivered to warrantor at:

Moonglow Technologies, 149 NW County Road OO, Warrensburg, MO 64093 USA
<http://www.MoonglowTech.com> - 660-747-7782 - sales@moonglowtech.com

All Sky Cam Dome Heater Power

